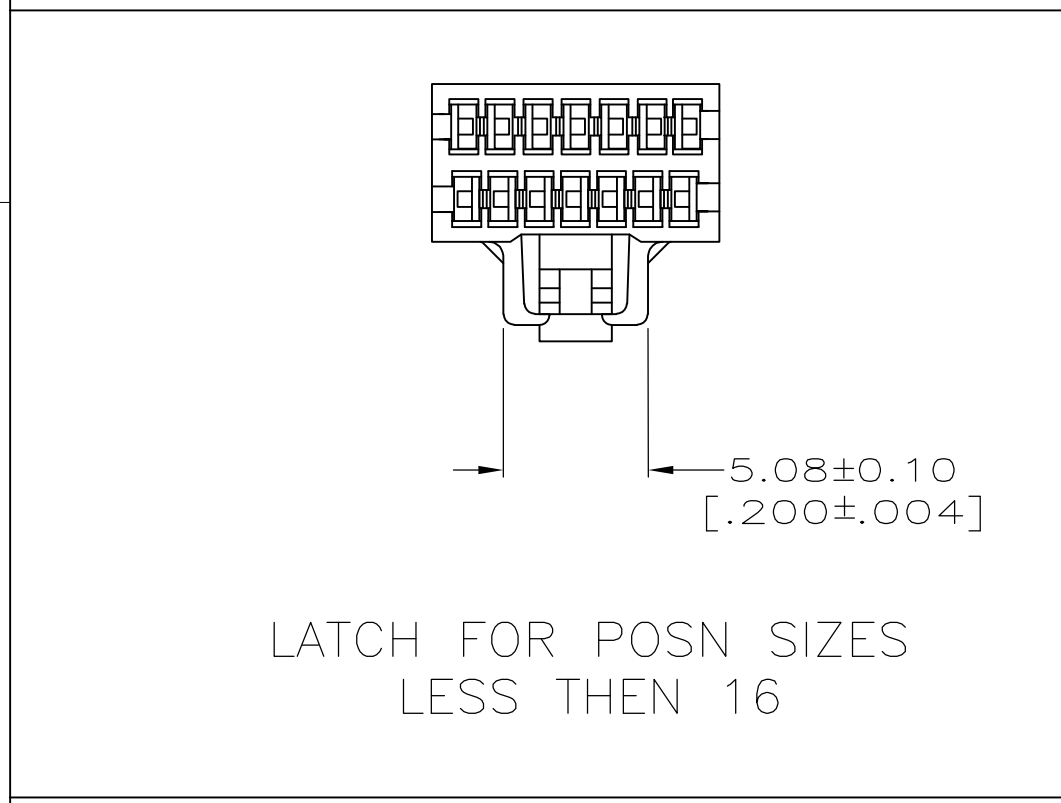
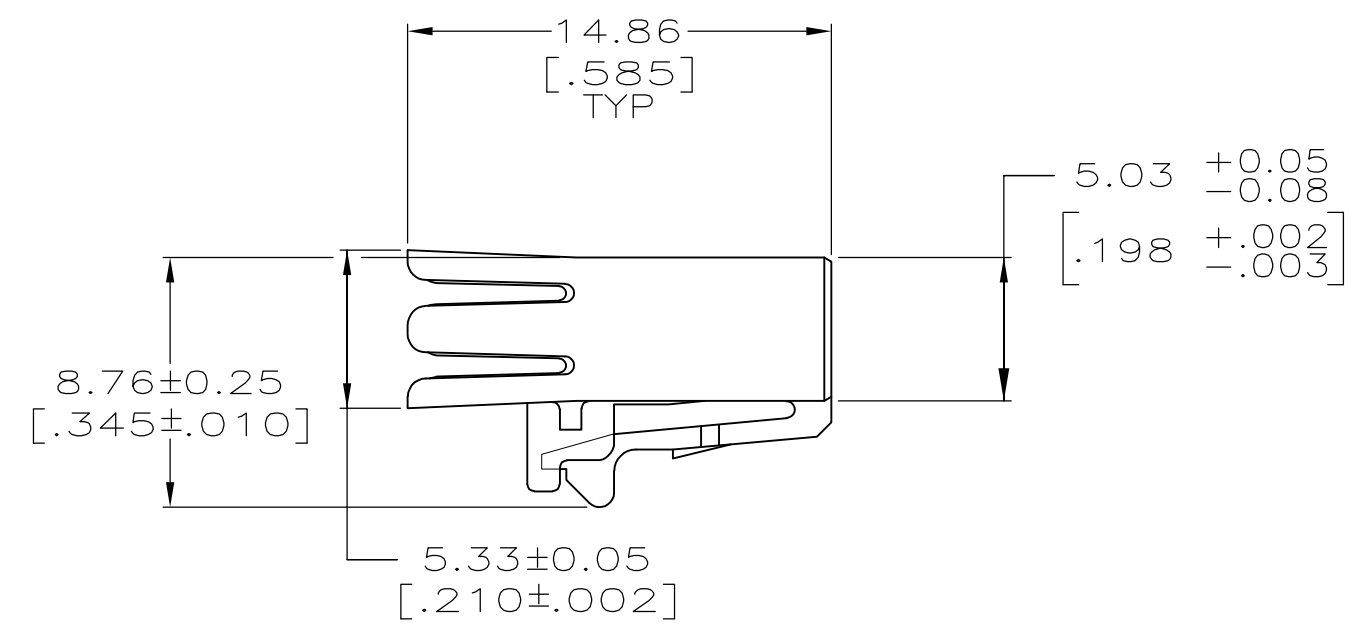
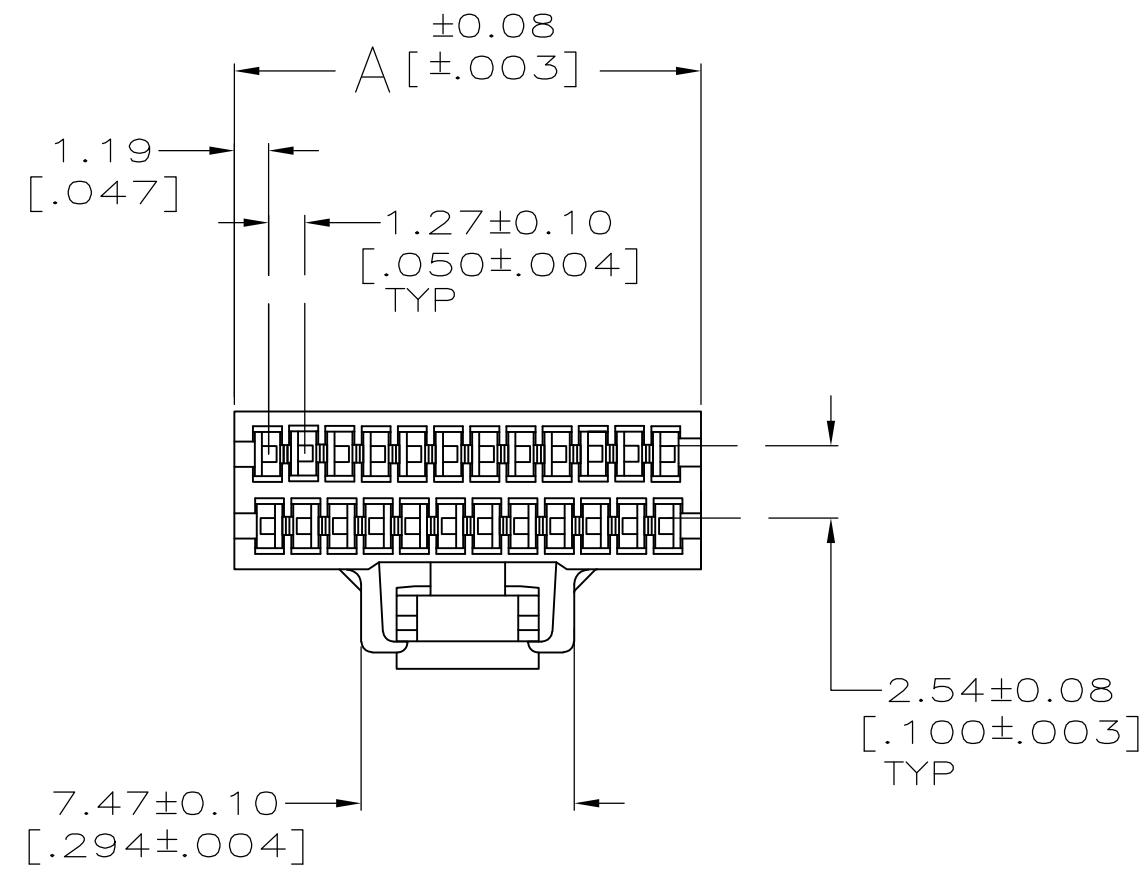


| LOC | DIST | REVISIONS |     |                           |           |     |      |
|-----|------|-----------|-----|---------------------------|-----------|-----|------|
| AR  | 39   | P         | LTR | DESCRIPTION               | DATE      | DWN | APVD |
|     |      | D3        |     | REVISED PER ECO-12-003620 | 16FEB2011 | RW  | SY   |



1 OBSOLETE PARTS: OBSOLETE CIS STREAMLINING PER D.RENAUD/D.SINISI

|            |               |            |            |
|------------|---------------|------------|------------|
|            | 51.99 [2.047] | 80         | 8-487937-0 |
|            | 46.91 [1.847] | 72         | 7-487937-2 |
|            | 39.29 [1.547] | 60         | 6-487937-0 |
|            | 32.94 [1.297] | 50         | 5-487937-0 |
| 1 OBSOLETE | 29.13 [1.147] | 44         | 4-487937-4 |
|            | 26.59 [1.047] | 40         | 4-487937-0 |
|            | 22.78 [.897]  | 34         | 3-487937-4 |
|            | 20.24 [.797]  | 30         | 3-487937-0 |
|            | 17.70 [.697]  | 26         | 2-487937-6 |
|            | 16.43 [.647]  | 24         | 2-487937-4 |
|            | 13.89 [.547]  | 20         | 2-487937-0 |
|            | 11.35 [.447]  | 16         | 1-487937-6 |
|            | 10.08 [.397]  | 14         | 1-487937-4 |
|            | 8.81 [.347]   | 12         | 1-487937-2 |
|            | 7.54 [.297]   | 10         | 1-487937-0 |
| 1 OBSOLETE | 6.27 [.247]   | 8          | 487937-8   |
|            | 64.69 [2.547] | 100        | 487937-1   |
|            | A             | NO OF POSN | PART NO    |

|  |              |                        |  |  |
|--|--------------|------------------------|--|--|
| THIS DRAWING IS A CONTROLLED DOCUMENT. |              | DWN C.OBERMAN 02/08/91 | <b>STE</b> TE Connectivity                     |  |
| DIMENSIONS: mm[INCHES]                 |              | CHK J McCLINTON 3-5-91 |  |  |
| TOLERANCES UNLESS OTHERWISE SPECIFIED: |              | APVD D L.ROCKER 3-6-91 | NAME HOUSING, RCPT, .050 , FFC                 |  |
| 0 PLC ± -                              | 1 PLC ± -    | PRODUCT SPEC           | SIZE CAGE CODE DRAWING NO RESTRICTED TO        |  |
| 2 PLC ± 0.13 [.005]                    | 3 PLC ± -    | APPLICATION SPEC       | A2 00779 G-487937                              |  |
| 4 PLC ± -                              | ANGLES ± ± - | FINISH                 | CUSTOMER DRAWING SCALE 4:1 SHEET 1 OF 1 REV D3 |  |
| MATERIAL POLYESTER BLACK               | FINISH -     | WEIGHT -               |  |  |